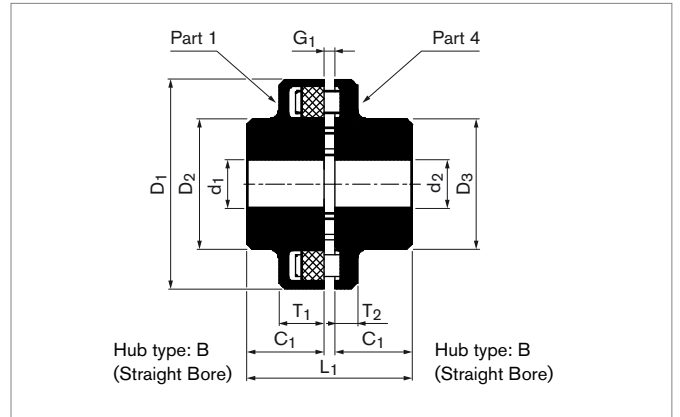
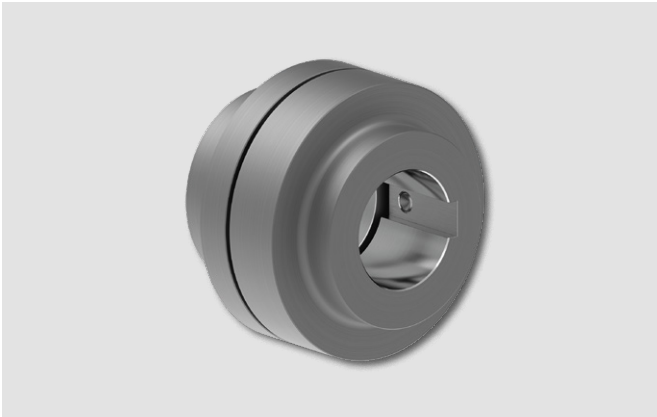


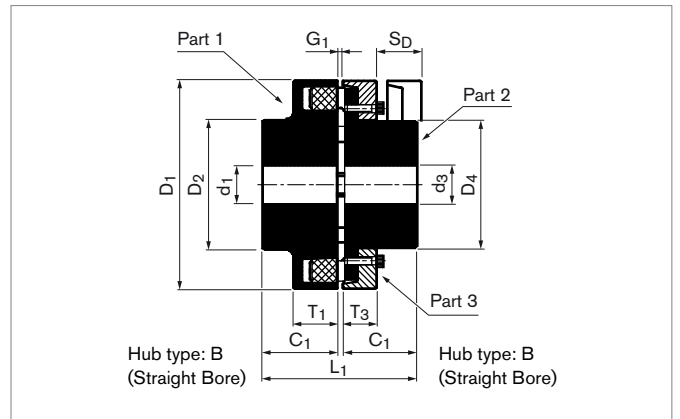
Elastomer Jaw Couplings

LOVEJOY INDIA® RLN B, A & H

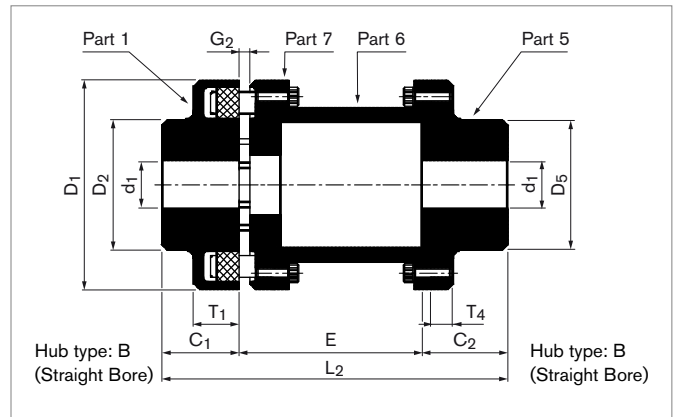
RLN B: 2-Part Coupling



RLN A: 3-Part Coupling with Axially Removable Jaw Part



RLN H: 4-Part Coupling with Spacer



To continue see next page

Elastomer Jaw Couplings LOVEJOY INDIA® RLN B, A & H

Size	Type	TKN			n _{max}	Max. Bore Diameter			D ₁	D ₂	D ₃	D ₄	D ₅	C ₁	C ₂	G ₁	G ₂
		RUB	PU	HTR		d ₁	d ₂	d ₃									
68	B, A, H	Nm	Nm	Nm	1/min	mm	mm	mm	mm	mm	mm	mm	mm	mm	mm	mm	mm
68	B	46	69	115	7000	28	30	-	68	68	46	-	-	20	-	2-4	5
80	B, H	94	141	235	6000	34	44	-	80	80	68	-	55	30	45		
95	B, H	134	201	335	5500	42	50	-	95	76	76	-	70	35	45		
110	B, A, H	243	365	608	5300	49	56	42	110	86	86	62	80	40	50		
125	B, A, H	335	503	838	5100	58	62	45	125	100	100	75	90	50	50		
140	B, A, H	530	795	1325	4900	64	65	50	140	100	100	82	100	55	65	2-6	6
160	B, A, H	823	1235	2058	4250	70	70	58	160	108	108	95	108	60	70		
180	B, A, H	1313	1970	3283	3800	82	82	65	180	125	125	108	125	70	80		
200	B, A, H	1970	2955	4925	3400	86	86	75	200	140	140	122	140	80	90	3-8	8
225	B, A, H	2392	3588	5980	3000	92	92	85	225	150	150	138	150	90	100		
250	B, A, H	3978	5967	9945	2750	102	102	95	250	165	165	155	165	100	110		

Size	Type	T ₁	T ₂	T ₃	T ₄	S _D	Std. E	L ₁		L ₂	G _w			J		
								B	A		H	B	A	H	B	A
68	B, A, H	mm	mm	mm	mm	mm	mm	mm	mm	mm	kg	kg	kg	kg-m ²	kg-m ²	kg-m ²
68	B	21	8	-	-	-	-	43.5-45.5	-	-	0.54	-	-	0.0002	-	-
80	B, H	31	10	-	7	-	100, 140	62-64	-	175.5, 215.5	1.3	-	2.6, 2.7	0.0006	-	0.0010, 0.0010
95	B, H	30	12	-	9	-	100, 140	73-75	-	181, 221	2.2	-	3.5, 3.8	0.0013	-	0.0030, 0.0030
110	B, A, H	34	14	20	11	33	100, 140, 180	82-84	81.6-83.6	190, 230, 270	3.3	3	5.4, 6.0	0.0030	0.0030	0.0050, 0.0060, 0.0060
125	B, A, H	36	18	23	11	38	100, 140, 180	102-104	101.5-103.5	200, 240, 280	5.2	4.8	7.2, 8.2	0.0060	0.0050	0.0100, 0.0100, 0.0110
140	B, A, H	34	20	28	15	43	100, 140, 180	112-114	111.5-113.5	220, 260, 300	5.6	6	10.0, 10.5, 11.0	0.0070	0.0080	0.0180, 0.0190, 0.0200
160	B, A, H	39	20	28	15	47	100, 140, 180	122-126	121.5-125.5	230, 270, 310	7.8	8.4	13.0, 13.7, 14.5	0.0100	0.0140	0.0300, 0.0320, 0.0340
180	B, A, H	42	20	30	15	50	140, 180	142-146	141-145	290, 330	11.5	12	18.5, 19.4	0.0200	0.0250	0.0540, 0.0580
200	B, A, H	47	24	32	18	53	140, 180, 200, 250	161-165	161.5-165.5	310, 350, 370, 420	16	17	25.6, 26.5, 27.2, 28.5	0.0400	0.0400	0.0950, 0.1000, 0.1050, 0.1100
225	B, A, H	52	18	38	18	61	140, 180, 200, 250	182-186	181.5-185.5	330, 370, 390, 420	20	23	34.0, 35.0, 36.0, 38.0	0.0700	0.0800	0.1580, 0.1600, 0.1700, 0.1800
250	B, A, H	60	18	42	21	69	180, 200, 250	203-208	202.5-207.5	390, 410, 460	29	31	48.0, 50.0, 52.0	0.1200	0.1300	0.2700, 0.2800, 0.3000

To continue see next page

Elastomer Jaw Couplings LOVEJOY INDIA® RLN B, A & H

Explanations

T_{KN} = Nom. Transmissible Torque	C₁/C₂ = Guided Length in Bore	Std. E = Std. Distance Between Shaft Ends
n_{max} = Max. Rotational Speed	G₁/G₂ = Width of Gap Between Left and Right Component	L₁/L₂ = Total Length
d₁/d₂/d₃ = Bore Diameter Hubs	T₁/T₂/T₃/T₄ = Hub Flange Thickness	Gw = Approx. Weight
D₁ = Max. Outer Diameter	S_D = Disassembly Space	J = Approx. Moment of Inertia
D₂/D₃/D₄/D₅ = Outer Diameter Hubs		

Technical Information

- All dimensions are in millimeters, unless otherwise specified. Decimal points are used as decimal separators.
- For vertical installation, please contact RINGFEDER POWER TRANSMISSION.
- Weight Gw and Moment of Inertia J are given at maximum bore diameter.
- For max. permissible axial, angular and radial shaft misalignment, please contact RINGFEDER POWER TRANSMISSION.
- Available elastomer materials: RUB = Rubber, PU = Polyurethane, HTR = H-Trans.
- Available taper bore options: F = Taper in, H = Taper out. For further information, please contact RINGFEDER POWER TRANSMISSION.

Ordering example RLN B

Series	Type	Hub Types Left / Right	Size	Elastomer	Bore Diameter d ₁	Bore Diameter d ₂
RLN	B	B / B	68	RUB	20	22

Ordering example RLN A

Series	Type	Hub Types Left / Right	Size	Elastomer	Bore Diameter d ₁	Bore Diameter d ₂
RLN	A	B / B	110	RUB	40	32

Ordering example RLN H

Series	Type	Hub Types Left / Right	Size	Elastomer	Distance Between Shaft Ends E	Bore Diameter d ₁	Bore Diameter d ₂
RLN	H	B / B	80	RUB	100	20	22

Ordering Information

- Bore diameter d₁ is intended to be on the drive side.
- Without further specifications, we deliver as standard: Bore tolerance H7; Keyway acc. to DIN 6885-1; Keyway width tolerance JS9; Set screw per hub. For bores complying with AGMA or other specifications, please contact RINGFEDER POWER TRANSMISSION.

Disclaimer of liability

All technical details and notes are non-binding and cannot be used as a basis for legal claims. The user is obligated to determine whether the represented products meet his requirements. We reserve the right to carry out modifications at any time in the interests of technical progress.