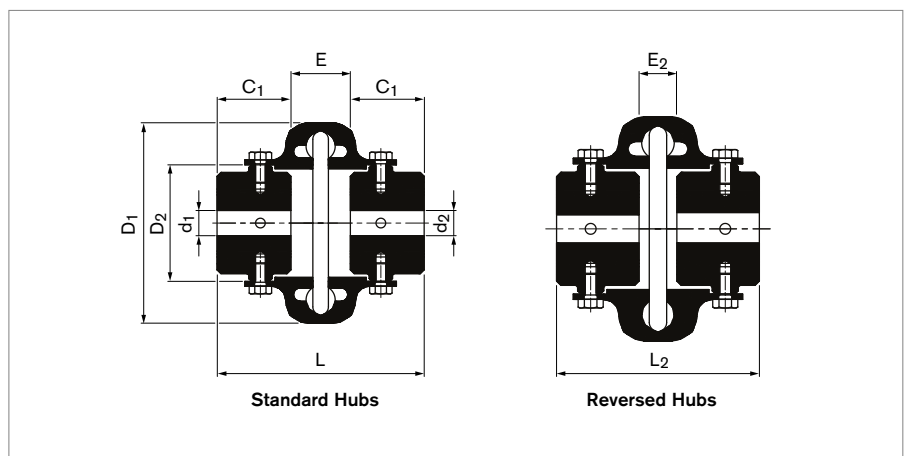
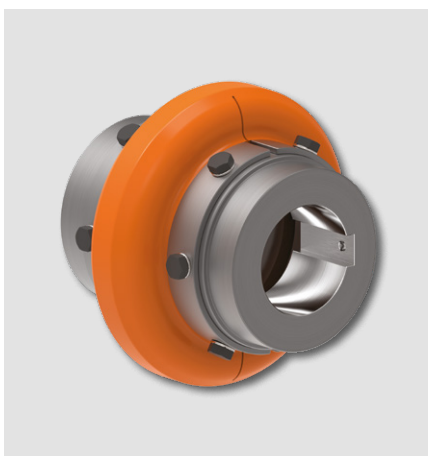


# Tyre Couplings

## LOVEJOY INDIA® RLU

Standard Design with Straight Bores and Keyways (Type BWB/RWR), also available with Spacer (Type BSB/RSR)

RLU BWB/RWR: Type without Spacers either with Standard Hubs or Reversed Hubs



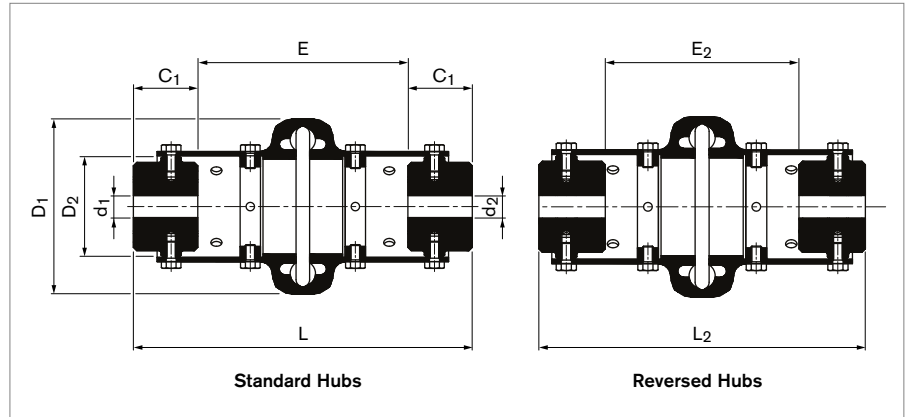
Size	T <sub>KN</sub>	n <sub>max</sub>	Pilot Bore Size	Max. Bore Diameter d <sub>1</sub> /d <sub>2</sub>	D <sub>1</sub>	D <sub>2</sub>	C <sub>1</sub>	E	E <sub>1</sub> <sup>(1)</sup>	E <sub>2</sub>	L	L <sub>1</sub> <sup>(1)</sup>	L <sub>2</sub>	Gw
RLU	Nm	1/min	mm	mm	mm	mm	mm	mm	mm	mm	mm	mm	mm	kg
2M	22	7500	13	28	90	47	24	46	41	36	94	89	84	0.65
3M	43	7500	13	36	103	59	38	46	27	8	122	103	84	1
4M	63	7500	13	42	117	66	38	46	27	8	122	103	84	1.8
5M	110	7500	13	48	138	80	44	59	33.5	8	147	121.5	96	3
10M	181	7500	13	55	163	93	44	59	33.5	8	147	121.5	96	4.4
20M	260	6600	21	60	185	114	50	65	39	13	165	139	113	5.65
30M	414	5800	21	78	211	138	58	69	40.5	12	185	156.5	128	11.3
40M	628	5000	26	95	245	168	63	75	41.5	8	201	168	134	16.0
50M	875	4200	26	105	283	207	70	91	51	11	231	191	151	24.8
60M	1432	3800	31	115	319	222	82	97	52.5	8	261	216.5	172	35.1
70M	2531	3600	31	123	357	235	85	109	63.5	18	279	233.5	188	40.4
80M	4460	2000	31	155	406	286	114	149	83	17	377	311	245	77
100M	9600	1900	48	171	533	359	140	95	69.5	44	375	349.5	324	95

(1) These values apply in the case of a single reversed hub.

To continue see next page

**Tyre Couplings LOVEJOY INDIA® RLU**

**RLU BSB/RSR: Type with Spacers either with Standard Hubs or Reversed Hubs**



Size	T <sub>KN</sub>	n <sub>max</sub>	Pilot Bore Size	Max. Bore Diameter d <sub>1</sub> /d <sub>2</sub>	D <sub>1</sub>	D <sub>2</sub>	C <sub>1</sub>	E	E <sub>1</sub> <sup>(1)</sup>	E <sub>2</sub>	L	L <sub>1</sub> <sup>(1)</sup>	L <sub>2</sub>	Gw
RLU	Nm	1/min	mm	mm	mm	mm	mm	mm	mm	mm	mm	mm	mm	kg
2M	22	7500	13	28	90	47	24	100	95	90	148	143	138	1
3M	43	7500	13	36	103	59	38	100, 140	84, 124	68, 108	176, 216	160, 200	144, 184	1.3
4M	63	7500	13	42	117	66	38	100, 140	81, 121	62, 102	176, 216	157, 197	138, 178	2.0
5M	110	7500	13	48	138	80	44	100, 140	74.5, 114.5	49, 89	188, 228	162.5, 202.5	137, 177	3.5
10M	181	7500	13	55	163	93	44	100, 140	74.4, 114.4	48.8, 88.8	188, 228	162.4, 202.4	136.8, 176.8	4.8
20M	260	6600	21	60	185	114	50	140, 180	115, 155	90, 130	240, 280	215, 256	190, 230	6.6
30M	414	5800	21	78	211	138	58	140, 180	111.5, 151.5	83, 123	256, 296	227.5, 267.5	199, 239	11.7
40M	628	5000	26	95	245	168	63	140, 180	107, 147	74, 114	266, 306	233, 273	200, 240	19.1
50M	875	4200	26	105	283	207	70	140, 180	101, 141	62, 102	280, 320	241, 281	202, 242	28.2
60M	1432	3800	31	115	319	222	82	180, 250	135.5, 205.5	91, 161	344, 414	299.5, 396.5	255, 325	36.3
70M	2531	3600	31	123	357	235	85	180, 250	134.5, 204.5	89, 159	350, 420	304.5, 374.5	259, 329	41.6
80M	4460	1900	31	155	406	286	114	180, 250	115.5, 185.5	51, 121	408, 478	343.5, 413.5	279, 349	89

(1) These values apply in the case of a single reversed hub.

To continue see next page

## Tyre Couplings LOVEJOY INDIA® RLU

### Explanations

<b>T<sub>KN</sub></b>	= Nom. Transmissible Torque	<b>D<sub>2</sub></b>	= Inner Sleeve Diameter	<b>L</b>	= Total Length
<b>n<sub>max</sub></b>	= Max. Rotational Speed	<b>C<sub>1</sub></b>	= Guided Length in Bore	<b>L<sub>1</sub></b>	= Total Length Single Reversed Hubs
<b>Pilot Bore Size</b>	= Required Size of the Pilot Bore	<b>E</b>	= Width of Gap Between Hubs	<b>L<sub>2</sub></b>	= Total Length Double Reversed Hubs
<b>d<sub>1</sub>/d<sub>2</sub></b>	= Bore Diameter Hubs	<b>E<sub>1</sub></b>	= Width of Gap Between Single Reversed Hubs	<b>Gw</b>	= Approx. Weight
<b>D<sub>1</sub></b>	= Max. Outer Diameter	<b>E<sub>2</sub></b>	= Width of Gap Between Double Reversed Hubs		

### Technical Information

- All dimensions are in millimeters, unless otherwise specified. Decimal points are used as decimal separators.
- For Size 2M–10M of RLU BSB/RSR, the coupling is provided with high-speed rings. For other sizes, these high-speed rings are optional.
- The tyre is split into two halves, each of which is connected by a metal bracket.
- The tyre is radially bolted to the hubs, which are mounted on shafts.
- For other types of shaft-hub-connections, please contact RINGFEDER POWER TRANSMISSION.
- If you need more detailed information about reversed hubs, please contact RINGFEDER POWER TRANSMISSION.
- If you need more detailed information about torque transmission, please contact RINGFEDER POWER TRANSMISSION.
- If you need detailed information about the coupling- & tyre-materials, please contact RINGFEDER POWER TRANSMISSION.
- RLU Tyre Couplings are also available with single reversed hubs. Selection is made via the type in the order.
- The weight "Gw" is given at maximum bore diameter.

### Ordering example RLU without Spacer

Series	Type	Size	Bore Diameter d <sub>1</sub>	Bore Diameter d <sub>2</sub>
RLU	BWB	40M	65	90

### Ordering example RLU with Spacer

Series	Type	Size	Bore Diameter d <sub>1</sub>	Bore Diameter d <sub>2</sub>
RLU	BSB	10M	25	50

### Ordering Information

- Type Definition: Left Hub - Spacer Option - Right Hub
- For a standard Hub (not reversed), use letter "B" in the type. For a reversed Hub, use letter "R" in the type.
- Use letter "W" in the type, for RLU without spacer. Use letter "S" in the type, for RLU with Spacer.
- Without further specifications, we deliver as standard: Bore tolerance H7; Keyway acc. to DIN 6885-1; Keyway width tolerance JS9; Set screw per hub. For bores complying with AGMA or other specifications, please contact RINGFEDER POWER TRANSMISSION.

### Disclaimer of liability

All technical details and notes are non-binding and cannot be used as a basis for legal claims. The user is obligated to determine whether the represented products meet his requirements. We reserve the right to carry out modifications at any time in the interests of technical progress.